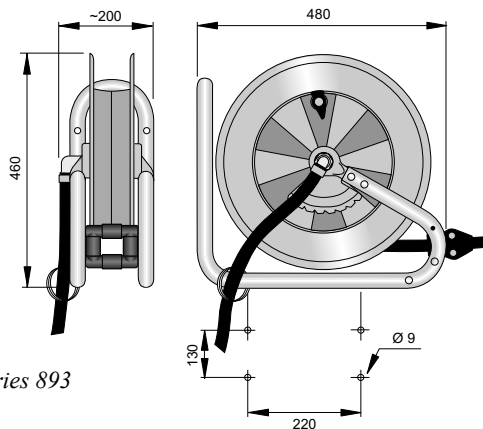


Stainless steel reels for aggressive environments



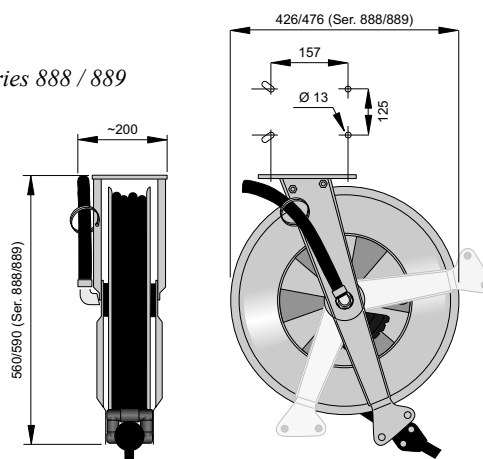
Series 893

Series 888 / 889



Series 893

Series 888 / 889



Nederman Series 893 and 888 / 889

Suitable for tough indoor and outdoor environments. Their very high corrosion resistance means that they can withstand exposure to high air humidity and to chemicals.

- All components manufactured in stainless steel.
- Open design facilitates cleaning.
- Adjustable outlet arm minimizes friction.

Series 893

Weight incl. hose: 14 – 18 kg

Material recycling: 100 %

Use for	Max. working pressure MPa (psi)	Distribution hose		Connection hose*	Hose material	Hose type (see page 17)	Reel with hose Part no.	Reel without hose Part no.
		Int. Ø mm (in)	Length m	Int. Ø mm (in)				
Water – food grade hose	2.0 (290)	12.5 (1/2)	10	12.5 (1/2)	Rubber	E	30803293	30803193
HP water	25 (3625)	10 (3/8)	15	10 (3/8)	Rubber	G	30803493	30803393

Series 888 / 889

Use for	Max. working pressure MPa (psi)	Distribution hose		Connection hose*	Hose material	Hose type (see page 17)	Reel with hose Part no.	Reel without hose Part no.
		Int. Ø mm (in)	Length m	Int. Ø mm (in)				
Water – food grade hose	2.0 (290)	12.5 (1/2)	10	12.5 (1/2)	Rubber	E	30803688	30803588
			15				30803689	30803589
HP water	25 (3625)	10 (3/8)	15	10 (3/8)	Rubber	G	30803888	30803788
			20				30803889	30803789

* Connection hose = 1 m long

All hoses are provided with galvanized fittings as standard. Hoses with stainless steel fittings are available upon request.