

Self retracting hose reels for Air and Water

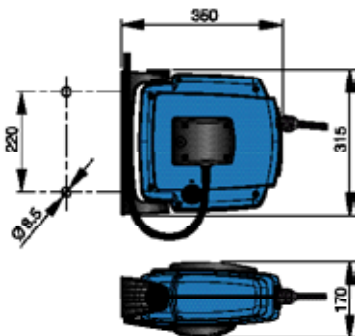


Nederman H20 & H30

Safe and functional hose reels for industrial use, professional tradesmen or do-it-yourself workshops. Robust design in high impact composite materials. Supplied with an easily mounted snap-on, pivoting wall bracket and a unique safety latch for safe and easy service. Equally suitable for pneumatical tools, staplers, blow guns and water guns (H30).

- Snap-on wall bracket
- Unique safety latch
- Drum with ball bearings on both sides
- Pressed fitting and steel spiral hose protector
- Hose easily replaced

H20



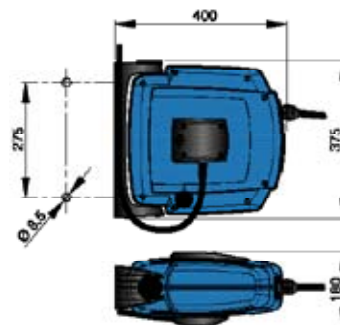
Weight incl. hose: ~ 3 kg

Material recycling: 100 %

Nederman H20 AIR				
Max. working pressure MPa (psi)	Hose dimension Int. Ø mm (in)	Hose length (m)	Hose fittings, distribution hose	Part no.
1.2 (175)	6 (1/4)	12	Male 1/4" BSP	30800220
1.2 (175)	8 (5/16)	8	Male 1/4" BSP	30800420

All reels delivered with 1m connection hose, Ø 10 mm (3/8").

H30



Weight incl. hose: ~ 5 kg

Material recycling: 100 %

Nederman H30 AIR / WATER				
Max. working pressure MPa (psi)	Hose dimension Int. Ø mm (in)	Hose length (m)	Hose fittings, distribution hose	Part no.
1.5 (220)	8 (5/16)	12	Male 1/4" BSP	30800230
1.5 (220)	10 (3/8)	10	Male 3/8" BSP	30800430

All reels delivered with 1m connection hose, Ø 10 mm (3/8").
Max. recommended water temp. +40°C.